



CONVERTER



CAP 10

- **Universal power supply:**
20 to 270 Vac and 20 to 300 Vdc
- **Universal input:**
mA, mV, V, Pt100 3 wire, thermocouple J or K, resistance and potentiometer.
- Supply for 2-wire transmitter
- **Insulated analog outputs:**
- active or passive current (0-20 mA or 4-20 mA) or voltage 0-10V.
- **Configuration:**
A set of 8 switches located behind the front face allows selecting the input and output types and calibers, without any other setting required.
- Detection of the sensor rupture
Self-zero and self-diagnosis

Environment

- Operating T°: -10° to 50°C
- Storage T°: -20° to 70°C
- **CE** according to IEC 61000-6-4, IEC 61000-6-2 (industrial environment).
- Disturbance immunity according to the standard IEC 61000-6-2(IEC 61000-4-3 level 3, IEC 61000-4-4 level 4, IEC 61000-4-6 level 3)

Power supply

- Voltage range: 20 to 270 Vac 50/60/400 Hz and 20 to 300 Vdc
- Power draw: 2.5W max. 4.5 VA max.

Outputs

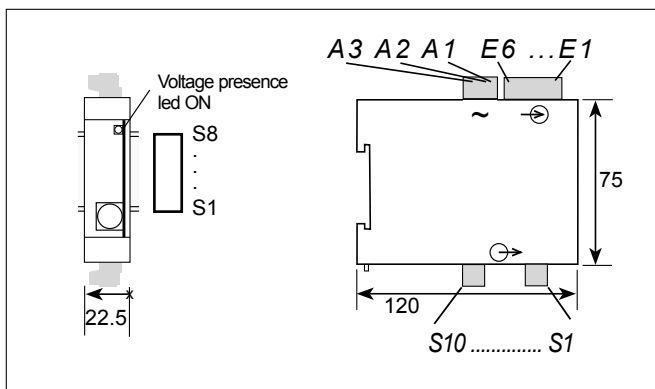
- Average response time = 200 ms (for a variation from 0 to 90% of the input signal)
- Temperature coefficient < 200 ppm/°C

Type	Load impedance	Caliber	Configuration of the micro-switches	
			S7	S8
Active/passive current	≤ 600Ω	0-20 mA		
		4-20 mA		•
Voltage	≥ 5 kΩ	0-10V	•	

• → Switch ON

Dimensions

- Self-extinguishing case of black UL 94VO ABS.
- Mounting in switchbox: latching on symmetrical DIN rail.
- *Rack version: consult.*
- Plug-off connectors for screwed connectings (2.5mm², flexible or rigid)
- Protection: Case / terminals: IP20
- Weight: 175 g (with packaging)



Dimensions : 22.5x75x120 mm

Galvanic partition

- 2 KV - 50 Hz - 1mn between supply, inputs, outputs
- Other features: consult



The friendly interface

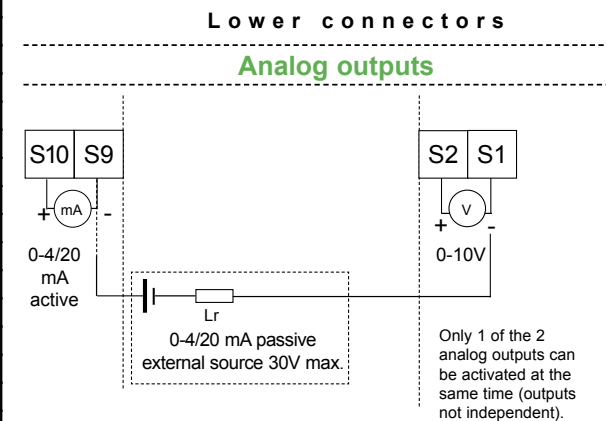
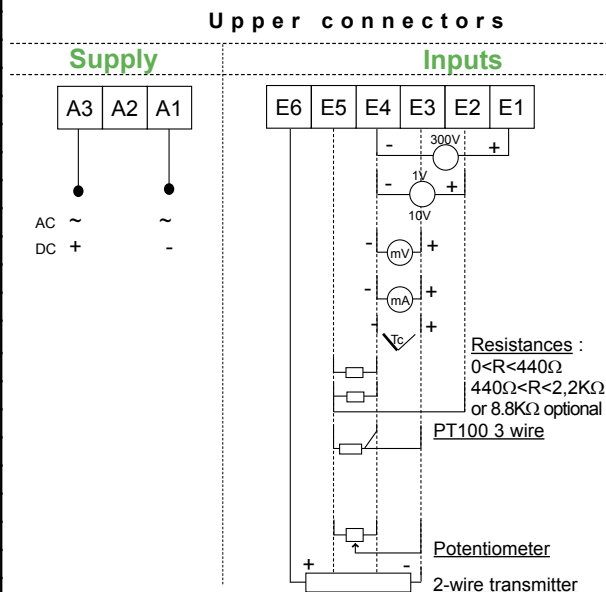
Inputs

• → Switch ON

- Supply for 2-wire sensor: 24 Vdc ±15% (protection from short-circuits 30mA max)
- Measurable overrange: ±10% of the caliber
- Standard sampling time: 100ms
- Common mode rejection rate: 130 dB
- Serial mode rejection rate: 40 dB 50/60Hz

Type	Max. error	Input impedance	Permanent overload	Caliber	Configuration of the micro-switches							
					S1	S2	S3	S4	S5	S6		
mA	±30µA	Max. drop 0.9V	±100mA	4-20 mA								
	±30µA			4-20 mA (2-wire sensor)								•
	±30µA			0-20 mA							•	
	±20µA			0-10 mA							•	•
	±50µA			±20mA							•	•
	±50µA			±10mA					•	•		
mV	±150µV	≥1MΩ	±1V	0-100 mV					•	•		
	±250µV			±100mV						•	•	•
V	±1.5mV	≥1MΩ	±50V	0-1V					•			
	±1mV			0-500mV						•	•	
	±2.5mV			±1V						•		
	±15mV			0-10V						•	•	•
	±10mV		0-5V						•	•	•	
	±25mV		±10V						•	•	•	
	±450mV		±600V	0-300V						•	•	•
	±750mV			±300V						•	•	•
Thermocouple J (Standard IEC581)	±3.5°C	≥1MΩ	-	-50 to 200°C					•			
				0 to 100°C						•		•
				0 to 200°C							•	•
				0 to 400°C							•	•
				0 to 600°C							•	•
				0 to 800°C							•	•
				0 to 1000°C							•	•
Thermocouple K (Standard IEC581)	±3.5°C	≥1MΩ	-	-50 to 200°C					•			
				0 to 100°C						•		•
				0 to 200°C							•	•
				0 to 400°C							•	•
				0 to 600°C							•	•
				0 to 800°C							•	•
				0 to 1000°C							•	•
Sensor Pt100Ω 3 wire Standard IEC 751 (DIN 43760) (line resistance < 25Ω)	±0,6°C	Current 250µA	-	-200 to 200°C					•			
				-100 to 100°C						•		•
				-50 to 50°C							•	•
				-50 to 100°C							•	•
				-50 to 150°C							•	•
	±0,8°C			0 to 50°C							•	•
				0 to 100°C							•	•
				0 to 150°C							•	•
				0 to 200°C							•	•
				0 to 300°C							•	•
				0 to 500°C							•	•
±1°C	0 to 800°C							•	•			
	0 to 1200°C							•	•			
Potentiometer from 100Ω to 10kΩ	±0.1% of the measure range	-	-					•	•			
Resistive sensor	±0.7Ω	-	-	0 to 100Ω					•		•	
				0 to 200Ω						•	•	
				0 to 300Ω							•	•
				0 to 400Ω							•	•
	±12Ω			0 to 500Ω							•	•
				0 to 1000Ω							•	•
				0 to 2000Ω							•	•

Wiring



Safety

	Voltage presence LED blinking	Return value of the analog output
Self-diagnosis	2s / 2s	22mA for the 0-20mA current output
Sensor rupture	0.5s / 0.5 s	0mA for the 4-20mA output 11V for the voltage output

SFERE . Société Française d'Etudes et de Réalisations Electroniques

RCS Lyon 423-502-608 - Printed in France

Route de Brindas - Parc d'Activité d'Arbora - N°2
69510 SOUCIEU EN JARREST - FRANCE

Tél. : 04 78 16 04 04 Fax. : 04 78 16 04 05
Tel. Intern. : 33 4 78 16 04 04 Fax Intern. : 33 4 78 16 04 05

e-mail : info@sphere-net.com . http : //www.sphere-net.com

your representative