

LOOP PARTITOR self-powered



Elit 10 - Elit 20

EFFICIENT AND ECONOMICAL!



- 1 or 2 insulated measure channels
- Insulation between input / output
- Transfer ratio 1 / 1
- High transmission accuracy
- High load impedance
- Powered by the input signal
- Reduced dimensions

APPLICATIONS

- Insulation of current loops.
- Insulation of measure transmitters from the PLC boards.
- Insulation of 4-20mA signals from thermocouples which may start to have insulation problems when the temperature increases.



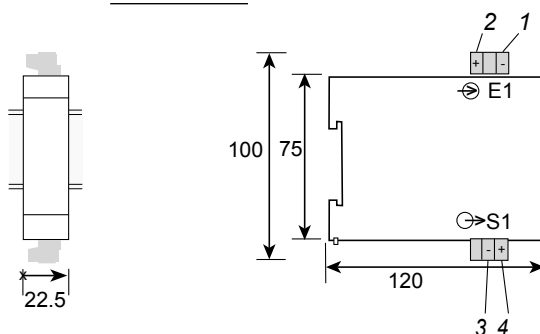
The friendly interface

ADVANTAGES

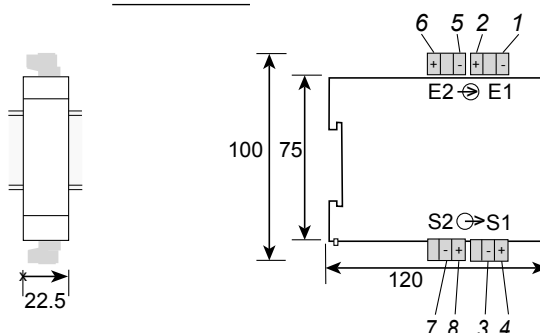
- The Elit solves the common point problems which may appear on measure loops and also reduces the rejection of the disturbances induced on the cables.
- The Elit insulates the sensors or transmitters from the process receivers (PLCs, recoders, etc.)

DIMENSIONS

Elit 10: dimensions: 75 x 22.5 x 120 mm



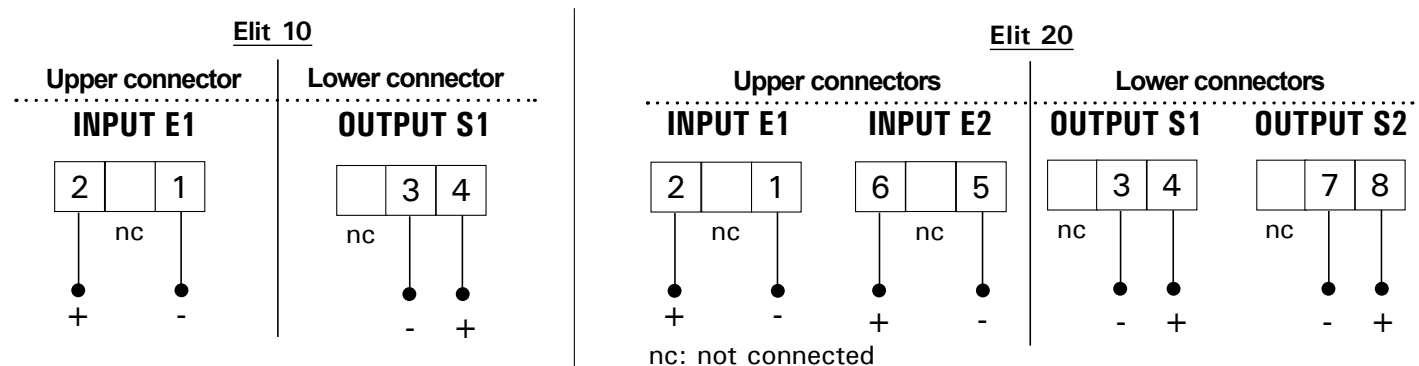
Elit 20: dimensions: 75 x 22.5 x 120 mm



TECHNICAL FEATURES AT 23°C

	Elit 10	Elit 20	
INPUT	Number of channels	1 channel	2 channels
	Current	0..4..20 mA	0..4..20 mA
	Internal voltage drop at 20mA	≤ 1.8 V	≤ 1.8 V
	Load loss	$I \times L_r + 1.8 V$	$I \times L_r + 1.8 V$
	Max. admissible voltage U_e	$U_e \leq 16 VDC$	$U_e \leq 16 VDC$
SUPP OUTPUT	Impedance in Ω at 20 mA	$L_r + 90 \Omega$	$L_r + 90 \Omega$
	Number of channels	1 channel	2 channels
	Current	0..4..20 mA	0..4..20 mA
MECHANICAL FEATURES	Max. load (L_r in Ω) admissible at 20 mA	650 Ω	650 Ω
	Power supply	Self-powered by the input loop	Self-powered by the input loop
GENERAL DATA	Nominal response time (0 to 90%)	1 ms	1 ms
	Accuracy at the nominal conditions Class	0.15 % at $L_r = 100 \Omega$	0.15 % at $L_r = 100 \Omega$
	Temperatures Operating Storage	0 to 55°C -20 to +70 °C	0 to 55°C -20 to +70 °C
	Others Transforming ratio Insul. input/output and betw. channels Condense free dampness Standards	1 / 1 2 Kv 50Hz 1mn 85 % CE acc. EN50081-2 & EN50082-2	1 / 1 2 Kv 50Hz 1mn 85 % CE acc. EN50081-2 & EN50082-2
	Dimensions H x L x D	75 x 22.5 x 120 mm	75 x 22.5 x 120 mm
MECHANICAL FEATURES	Tightening	Horizontal symmetrical DIN rail	Horizontal symmetrical DIN rail
	Sealing	Housing / terminals IP 20	Housing / terminals IP 20
	Terminals	Screw-in connectors for flexible or rigid 2.5 mm ² wires	Screw-in connectors for flexible or rigid 2.5 mm ² wires
	Weight	90 g	125 g

CONNECTINGS



This appliance is dedicated to industrial applications. It has to be installed in an electrical switchbox, or equivalent.

Société Française d'Etudes et de Réalisations Electroniques - SFERE

RCS Lyon 423-502-608 · Printed in France

Route de Brindas - Parc d'Activité d'Arbora - N°2
69510 SOUCIEU EN JARREST - FRANCE

Tél. : 04 78 16 04 04 Fax. : 04 78 16 04 05
Tel. Intern. : 33 4 78 16 04 04 Fax Intern. : 33 4 78 16 04 05
e-mail : info@sfere-net.com <http://www.sfere-net.com>

Your representative